

# SEA Spring Return Electric Actuator

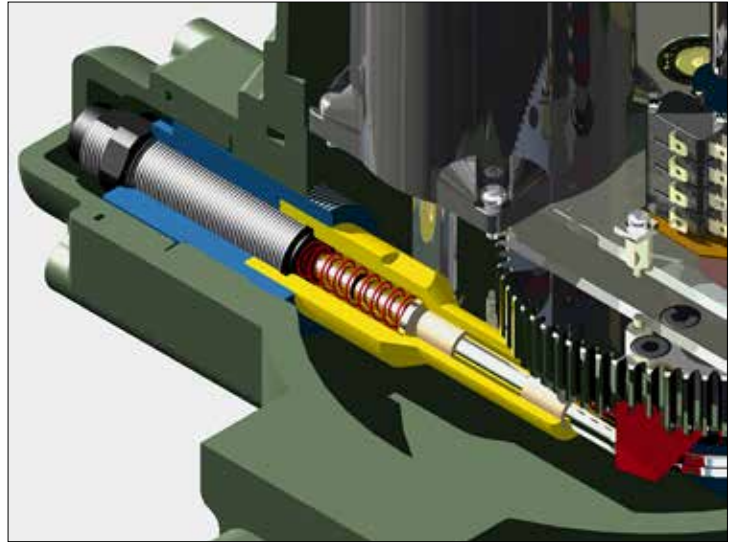
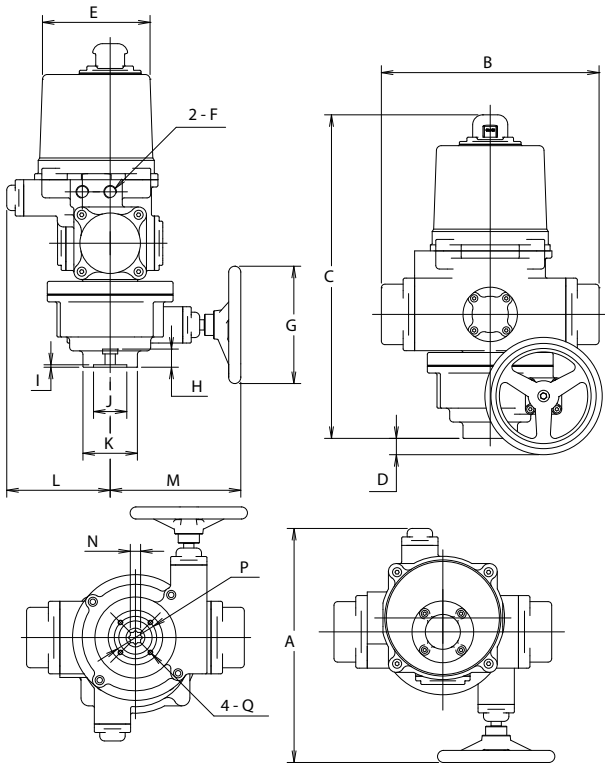


- Spring return models are designed to provide a fail-safe position in the event of a power loss of supply voltage a mechanical spring set is utilized to position the valve or damper to either the fully open or fully closed position without any external power source.
- A mechanical buffer system is employed at the end of the spring stroke to reduce the dynamic effect of the springs returning to the fail safe position.
- Standard unit fails clockwise, counter-clockwise rotation failure is available.
- A clutch-less, lever-less manual over-ride provides full-time manual capabilities.
- Patented in Taiwan, USA, Japan and China
- 50% duty rated
- Temperature range: -22° F TO +149° F with use of heater and thermostat
- Powder coated aluminum alloy enclosure
- Nema 4X, IP67
- Gear train comes lubricated for life from factory
- Visual indicator
- Voltage options include: 24VAC, 24VDC, 10/220V 1 phase, 220/380/440V 3 phase

Model	Power (watts)	Max Torque (In/lb)	Motor Speed (Sec/90°)	Speed Spring	Mounting Flange
SEA-4-SR-MO*	1.5A RUN / 2.8A LOCK	440	7-9 SECONDS	3 SECONDS	F07
SEA-11-SR-MO*	3.8A RUN / 11A LOCK	1150	7-9 SECONDS	8 SECONDS	F10
SEA-17-SR-MO*	3.8A RUN / 11.5A LOCK	1770	11-13 SECONDS	12 SECONDS	F12
SEA-23-SR-MO*	3.8A RUN / 11.5A LOCK	2300	14-17 SECONDS	12 SECONDS	F12

\*POA

# SEA Spring Return Electric Actuator Dimensions



SPRING BUFFER SYSTEM

Model	Unit	A	B	C	D	E	F	G	H	I	J	K	L	M	N	P	Q	Flange Type
SEA-4-SR-MO	in mm	15.09 387	14.04 360	20.87 535	1.38 35	6.94 178	1/2" NPT	7.57 194	1.17 30	0.16 4	2.15 55	3.51 90	6.67 171	8.42 216	0.66 17	2.73 70	M8 x 1.25	F07
SEA-11-SR-MO	in mm	18.84 483	18.02 462	25.12 638	2.70 68	10.43 265	1/2" NPT	11.61 295	1.61 41	0.20 5	2.73 70	4.88 125	9.33 237	9.20 236	0.86 22	3.98 102	M10 x 1.5	F10
SEA-17-SR-MO	in mm	22.97 589	23.40 600	28.50 732	4.30 109	12.00 305	1/2" NPT	15.70 398	1.76 45	0.20 5	3.32 85	5.85 150	11.90 305	11.08 284	1.05 27	4.88 125	M12 x 1.75	F12
SEA-23-SR-MO	in mm	22.97 589	23.40 600	28.50 732	4.30 109	12.00 305	1/2" NPT	15.70 398	1.76 45	0.20 5	3.32 85	5.85 150	11.90 305	11.08 284	1.05 27	4.88 125	M12 x 1.75	F12