

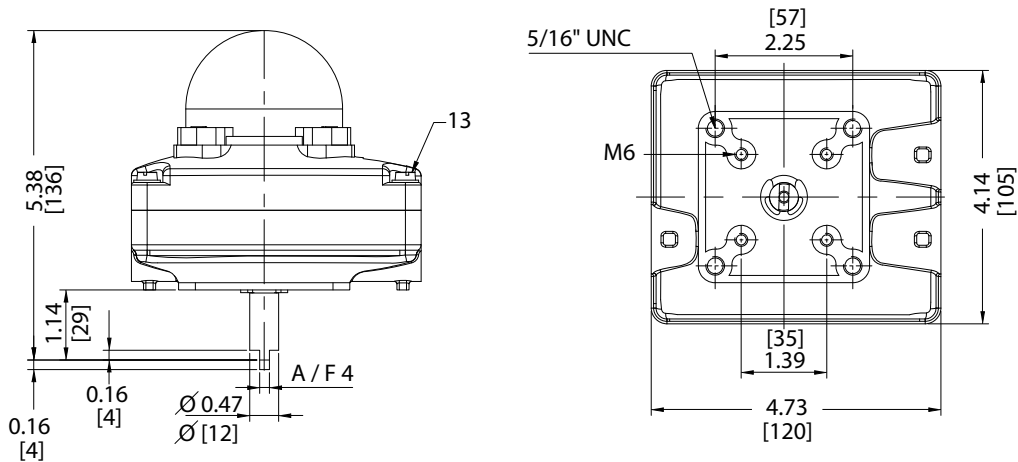
Limit Switches



Housing Material: Die cast aluminum with powder coating
 Indicator Cover: Shatterproof polycarbonate
 Temperature: -4°F to 146°F

- Special printed circuit board eliminates all wiring from the switch element to the terminal while providing protection against short circuits
- Complies to NAMUR mounting standards
- NAMUR pattern mounting kits available
- UL Listed, for both NEMA 4/4X and NEMA 7/9
- NEMA 7/9 Class I Groups C&D, Class II Groups E, F & G Divisions 1 and 2
- Solenoid termination inside switch box
- Proximity Switches designed for Intrinsically Safe Applications

NEMA 4/4X Dimensions



NEMA 4/4X/7/9 Dimensions

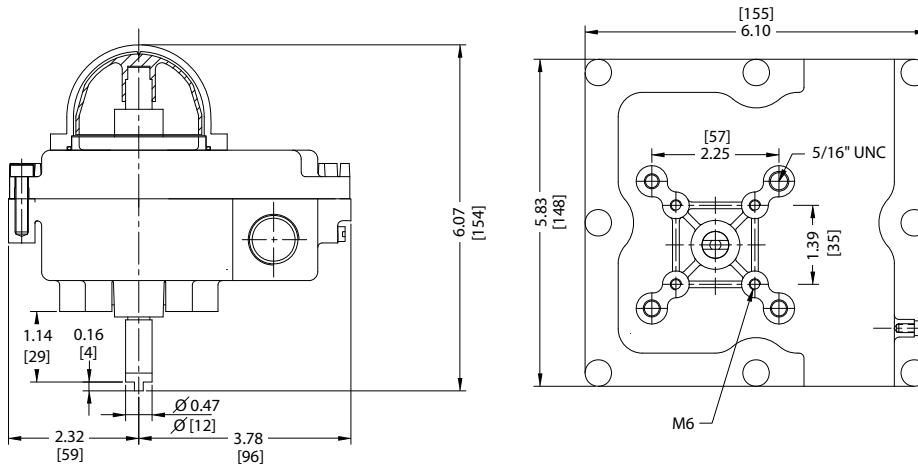


Fig: SL-XS4MH10-M2

Description: SL - NEMA 4 Mechanical - M2 Bracket Size

Limit Switch Part Number Chart			
Model	Rating		Bracket
SL	XS4MH10	NEMA 4/4X MECHANICAL	M1
	S9MH10	NEMA 4/4X/7/9 MECHANICAL	M2
	XS4PPF8	NEMA 4/4X PROXIMITY	M3
	S9PPF2	NEMA 4/4X/7/9 PROXIMITY	M4

Note: Bracket as determined by actuator model and size.